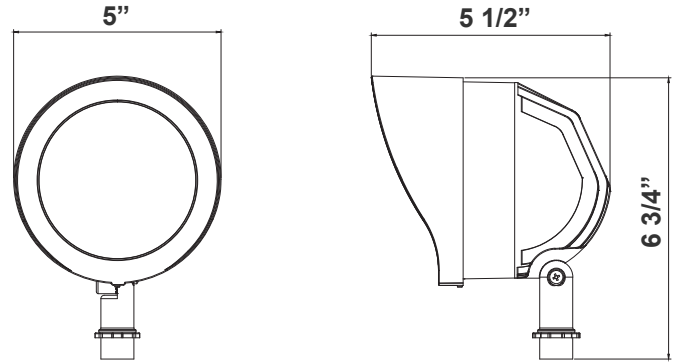


GL-MCTP-BR



Customer Name: \_\_\_\_\_  
 Project Name: \_\_\_\_\_  
 Note: \_\_\_\_\_ | Type: \_\_\_\_\_



6 3/4"(H) x 5"(W) x 5 1/2"(D)

The fixture has classic traditional appearance, professional light distribution design, 90-degree beam angle, ideal for park landscaping, garden, architectural landscape lighting, suitable for wet locations

## Features

- Housing: ADC100-277V Aluminum Heat Sink, Outdoor Powder Coating
- 1/2" Threaded Knuckle Stem
- 7-Year Warranty
- Output Power & CCT Are Tuneable (Remote Control Required, One Per Project)

## Technical Specifications

### Electrical:

- Voltage: 120-277V
- Power Factor: >0.9
- Wattage: 0-20W (Adjustable with Remote Control, Required One Per Project)
- Efficacy: 70 LPW
- Operating Voltage: Max 900 mA, Max 36VDC

### Mechanical:

- Housing: ADC100-277V Aluminum Heat Sink, Outdoor Powder Coating
- Optical lens: Plaid Tempered Glass + Aluminum Reflectors
- Solid State Lighting Technology for Long Life, No Maintenance Needed and High-Efficiency
- High Conductive Aluminum LED Board
- 1/2" Threaded Knuckle Stem
- IP Rating: IP65
- Operating Temperature: -40°F to 104°F
- Suitable for Wet Locations
- Rotatable Shroud with Set Screw
- 7-Year Warranty

### Lighting:

- Prismatic Borosilicate Glass Lens
- Chip: Philips Lumileds Lexeon 3030 High Flux LED
- Power Range: 0-20W (Adjustable With Remote Control)
- Output Power & CCT Are Tuneable (Remote Control Required, One Per Project)
- Lumens Range: 1400LM Max
- Color Temperatures: 3000K~5700K
- Color Rendering Index: CRI ≥ 80
- Beam Angle: 90°

### Applications:

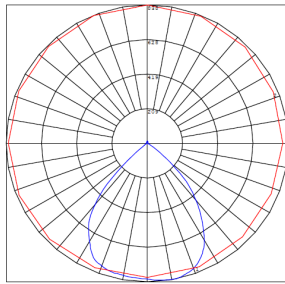
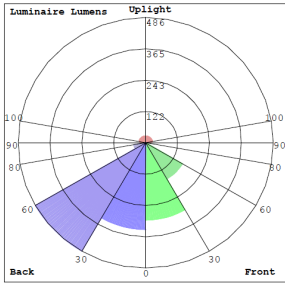
- The fixture has classic traditional appearance, professional light distribution design, 90-degree beam angle, ideal for park landscaping, garden, architectural landscape lighting, suitable for wet locations

### Other Models:

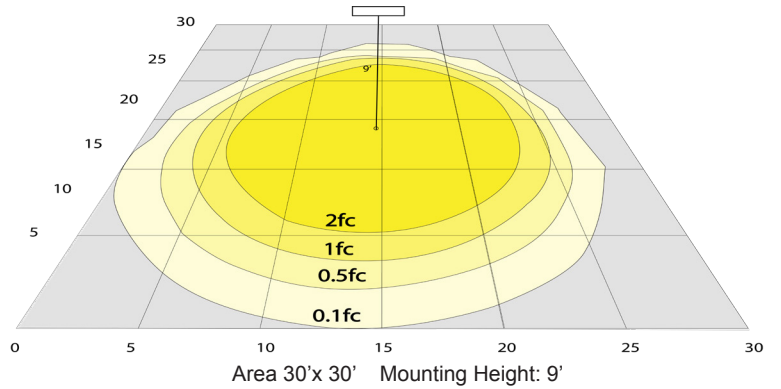
- 20W | 1400LM | GL-MCTP-BK
- 20W | 1400LM | GL-MCTP-WH



## Photometrics: GL-MCTP-BR



BUG Rating: B1-U2-G0



## Other Views:



Side View



Front View



Back View

## Performance Table: GL-MCTP-BR

MODEL NO.	Wattage	Voltage	Lumens	Color Temp.	BUG Rating	LPW
GL-MCTP-BR	20W	120-277V	1400LM	3000K~5700K	B1-U2-G0	70

## Sample Ordering

Model Color Temp. Color

GL - MCTP - BR

## Accessories:

Blank = No Option For Accessories

WE167 = 18-1/2" PVC Mounting Post For In-Ground Mounting

WRC-1 = 1/2" Weatherproof Cover for Surface/Wall Mount Installation

MCTP-RC1 = Remote Control For Multi-Color Temp. & Power Outdoor Fixture (Required/ One Per Project), 50ft Range

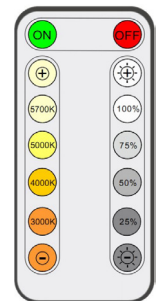
## ACCESSORIES:



**WE167**  
18-1/2" PVC Mounting Post  
For In-Ground Mounting



**WRC-1**  
1/2" Weatherproof Cover  
for Surface/Wall Mount  
Installation



**MCTP-RC1**

## Example:

1. GL-MCTP-BR

(FOR GL 20W MCTP FIXTURE 120-277V)

2. GL-MCTP-BR  
WE167

(FOR GL 20W MCTP FIXTURE 120-277V)  
(18-1/2" PVC MOUNTING POST FOR IN-GROUND MOUNTING)

**WESTGATE**

Phone: (877) 805-2252 | Fax: (877) 805-2252  
www.westgatemfg.com | www.westgatecontrols.co

